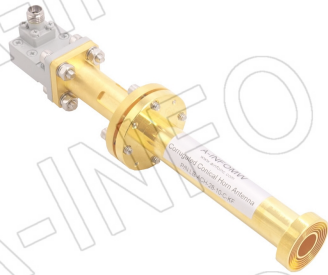


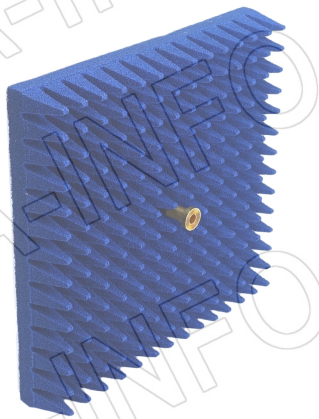
For reference only. See data sheet for the detailed specifications.

Technical Specification

LB-ACH-28-10-C-KF



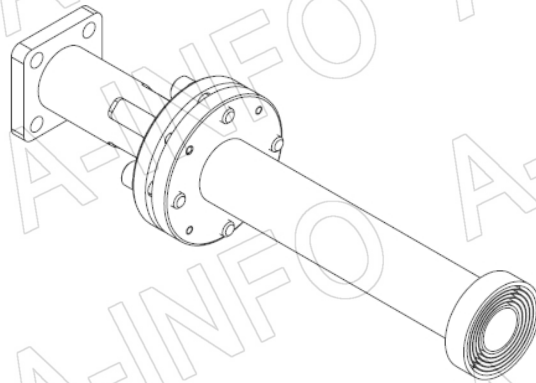
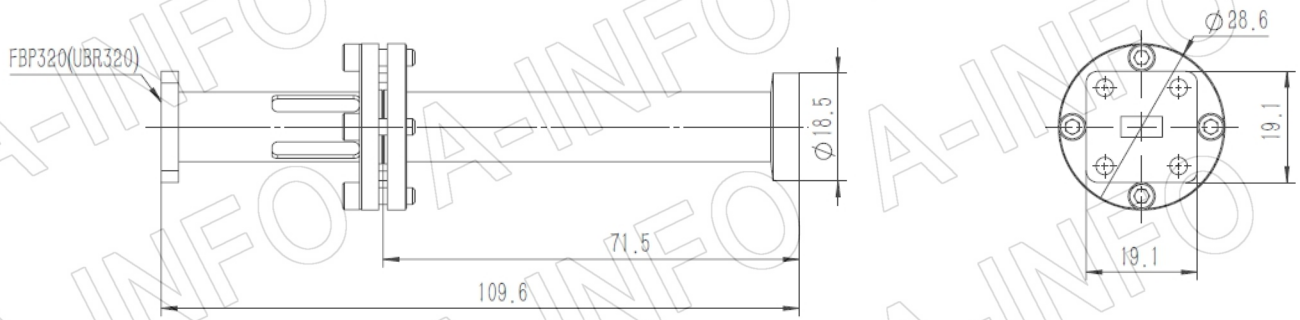
LB-ACH-28-10-C-KF-A1



Frequency Range(GHz)	26.5 – 40.0	
Waveguide	WR28	
Gain(dBi)	10 Typ.	
Polarization	Linear	
3dB Beamwidth(deg)	E Plane:	58 Typ.
	H Plane:	60 Typ.
10dB Beamwidth(deg)	E Plane:	106 Typ.
	H Plane:	110 Typ.
Cross Pol. Isolation(dB)	45 Typ.	
VSWR	A Type:	1.40:1 Typ.
	C Type:	1.80:1 Typ.
Output	A Type:	FBP320(UBR320)
	C Type:	2.92mm-Female or 2.4mm-Female
Material	Cu	
Finish	Gold Plated, Gray Paint	
Size(mm)	A Type:	28.6 x 28.6 x 109.6
	C Type:	28.6 x 30.5 x 133.6
	A-A1:	259 x 259 x 109.6
	C-KF-A1:	259 x 259 x 133.6
Net Weight(Kg)	A Type:	0.08 Around
	C Type:	0.14 Around
	A-A1:	1.21 Around
	C-KF-A1:	1.25 Around

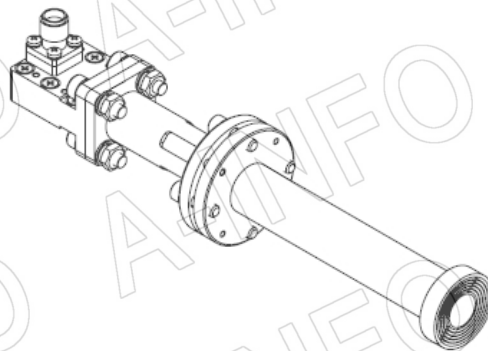
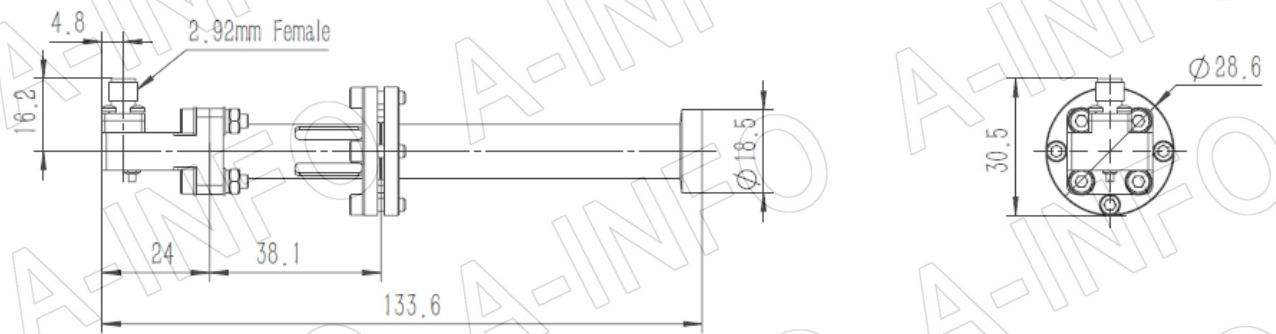
Outline Drawing (Size: mm)

FBP320 Output (P/N: LB-ACH-28-10-A)



2.92mm-Female Output (P/N: LB-ACH-28-10-C-KF)

For 2.4mm-Female output outline drawing, please contact A-INFO.



AINFO Inc.

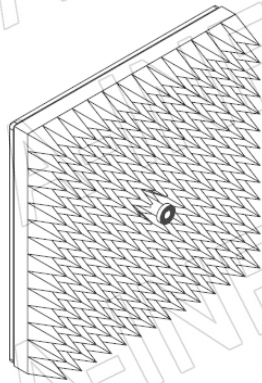
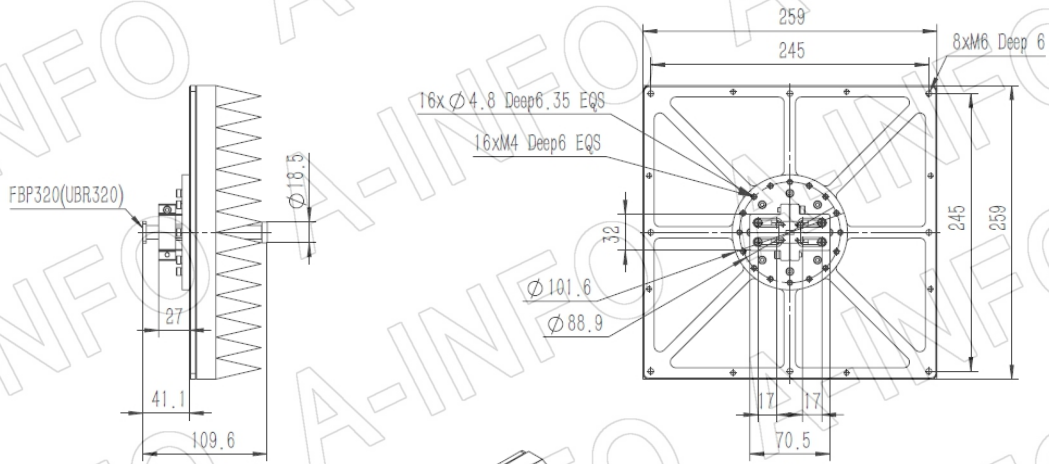
China(Beijing): Tel: (+86) 10-6266-7326,
China(Chengdu): Tel: (+86) 28-8519-2786,
USA: Tel: (+1) 949-639-9688,

Page 2 of 12

(+86) 10-6266-7327 Fax: (+86) 10-6266-7379
(+86) 28-8519-3044 Fax: (+86) 28-8519-3068
(+1) 949-639-9608 Fax: (+1) 949-639-9670

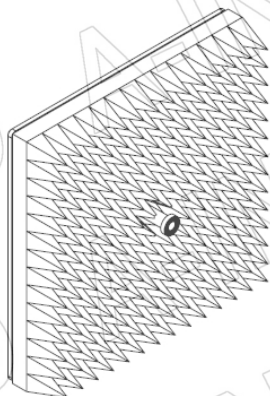
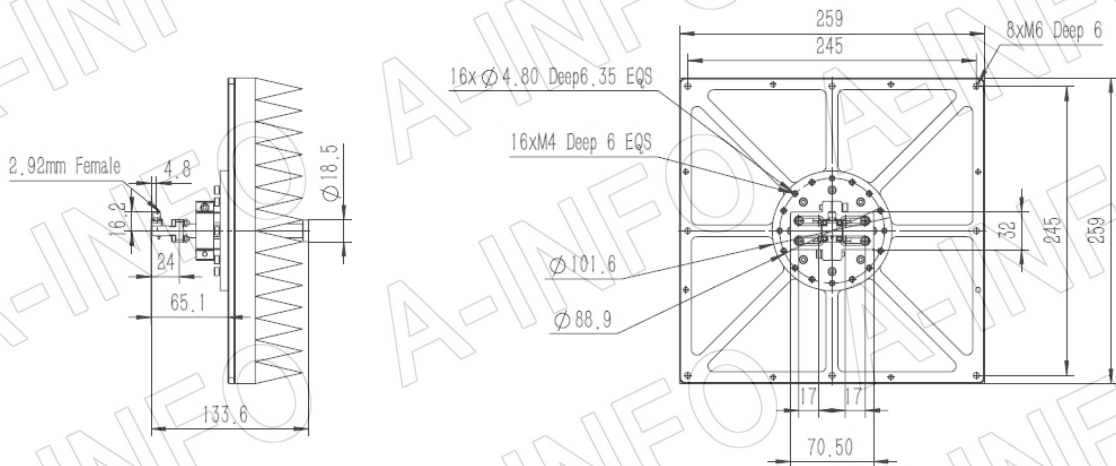
Website: www.ainfoinc.com
Email: sales@ainfoinc.com

FBP320 Output, Equipped with Absorber (Option, P/N: LB-ACH-28-10-A-A1)

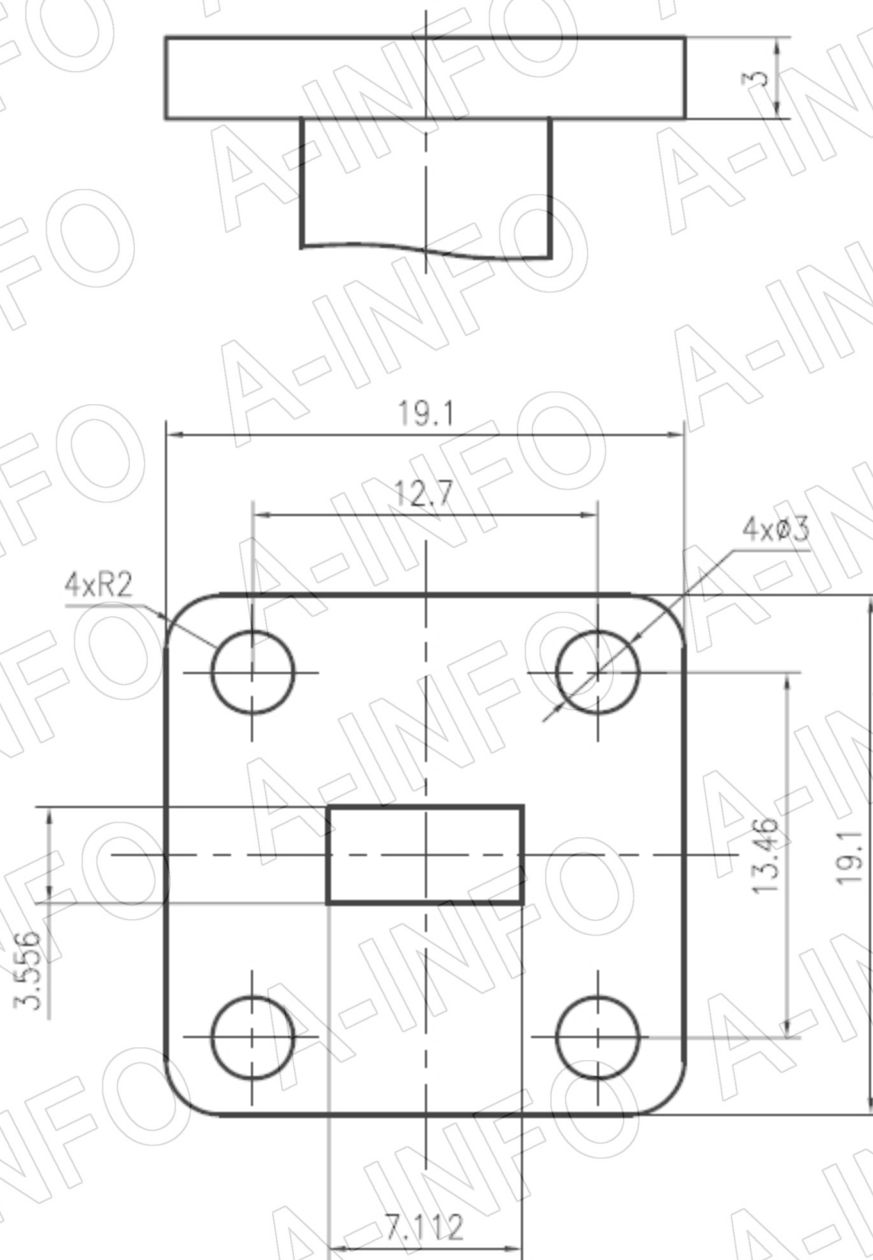


2.92mm-Female Output, Equipped with Absorber (Option, P/N: LB-ACH-28-10-C-KF-A1)

For 2.4mm-Female output outline drawing, please contact A-INFO.



Flange Drawing (Size: mm)



FBP320

AINFO Inc.

China(Beijing): Tel: (+86) 10-6266-7326,
China(Chengdu): Tel: (+86) 28-8519-2786,
USA: Tel: (+1) 949-639-9688,

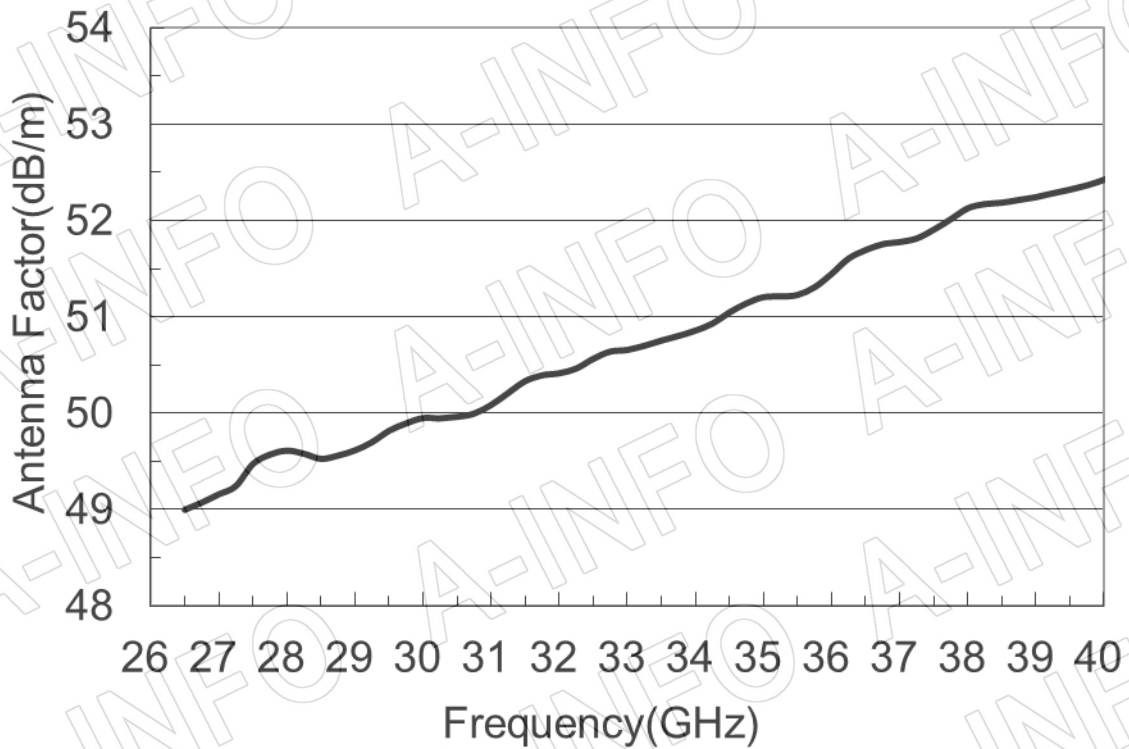
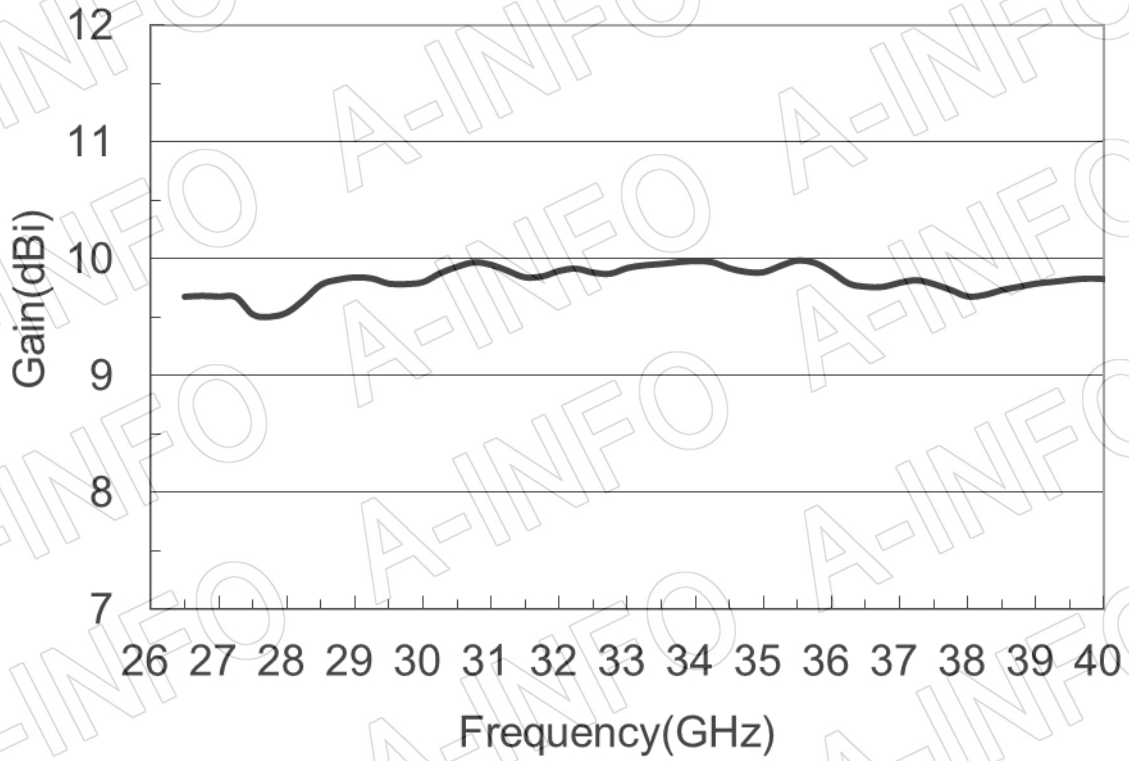
Page 4 of 12

(+86) 10-6266-7327 Fax: (+86) 10-6266-7379
(+86) 28-8519-3044 Fax: (+86) 28-8519-3068
(+1) 949-639-9608 Fax: (+1) 949-639-9670

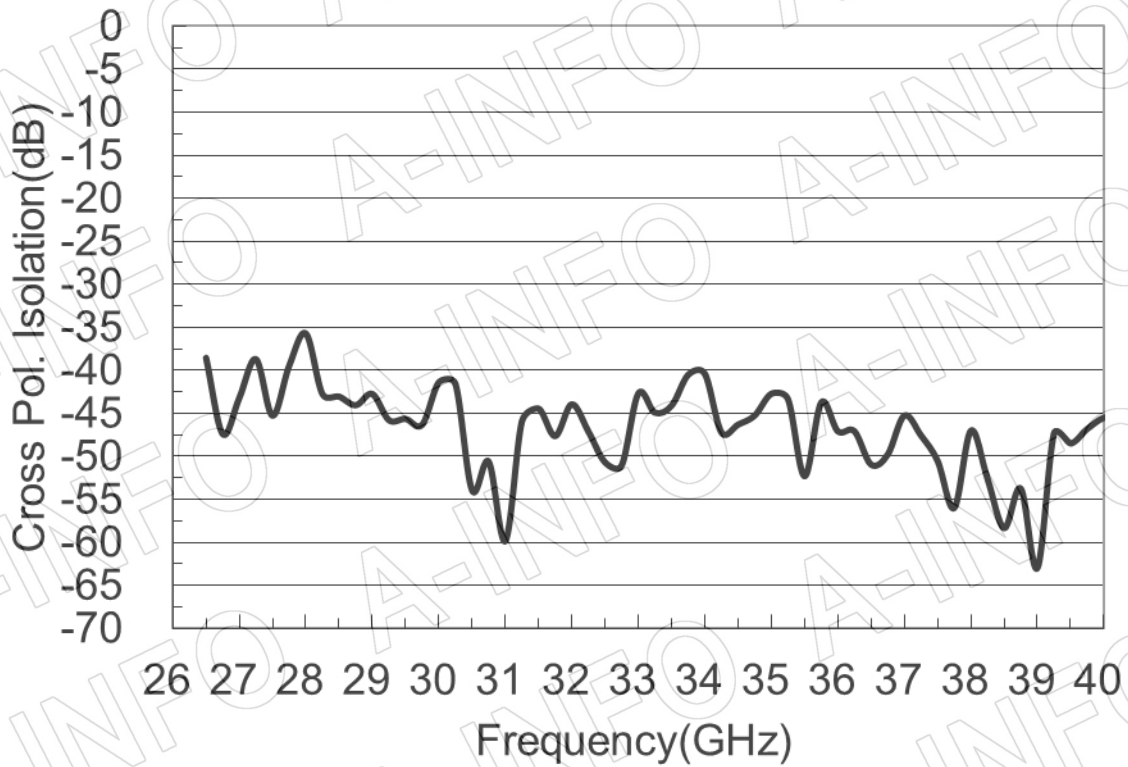
Website: www.ainfoinc.com
Email: sales@ainfoinc.com

Test Results

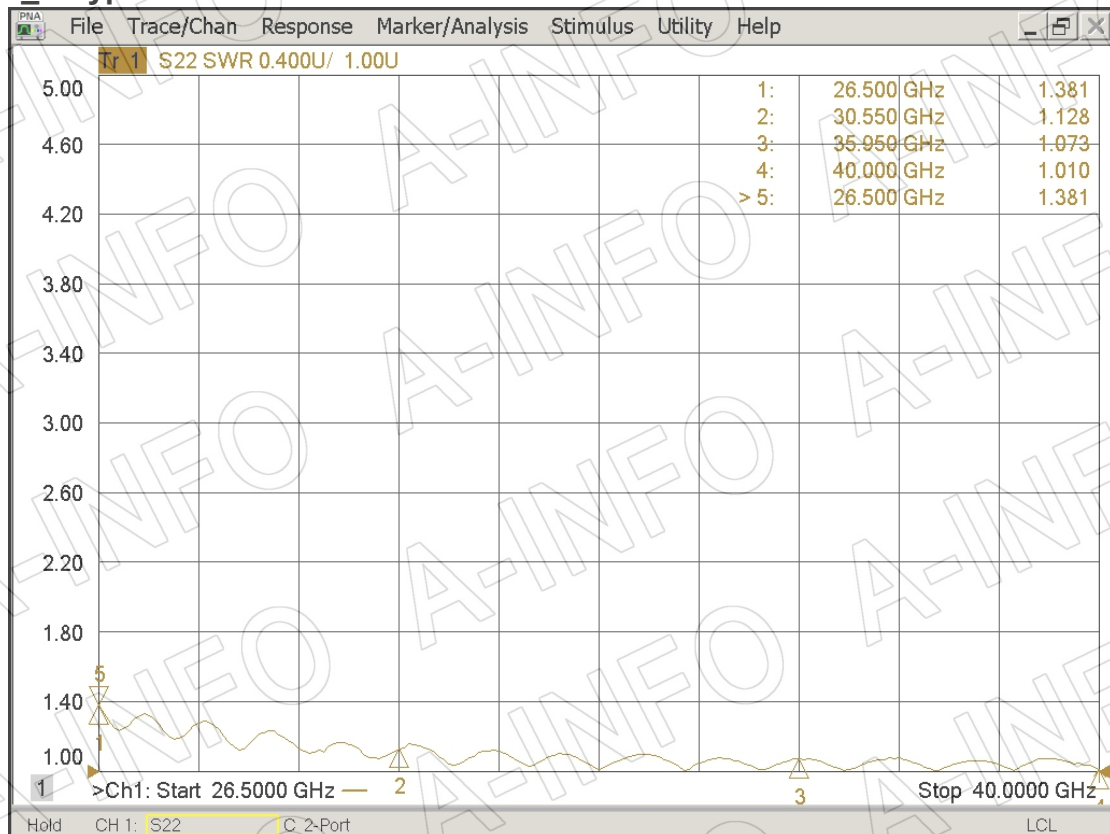
1. Gain & Antenna Factor



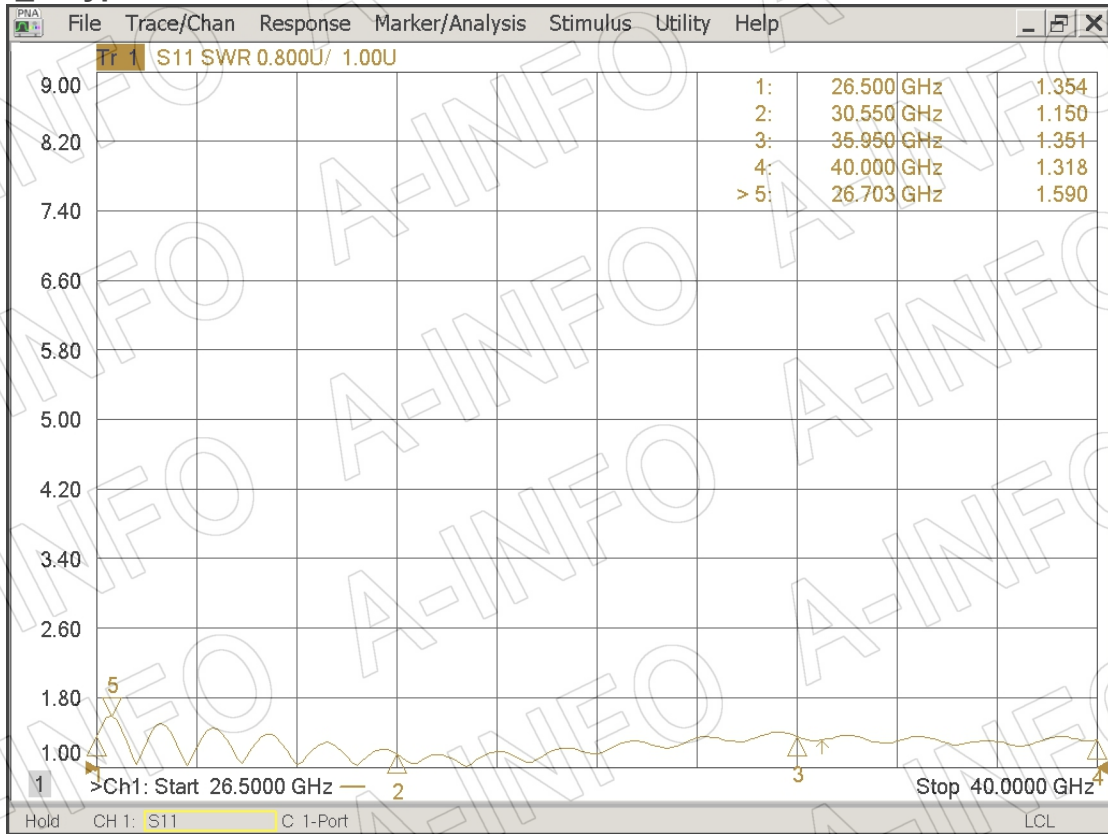
2. Cross Polarization Isolation



3. VSWR_A Type



VSWR_C Type



4. Pattern

